

- o Flat Cable Connectors SEK
- o *har-mik®*
- o D-Sub
- o InduCom

Applications



Product details

09 20 003 2611

Male insert, Han 3 A

Series	Han A®
Number of contacts	3 poles + PE
Size of hood/ housing	Han® 3 A
Termination	Screw termination
Insert material	Standard material
Contacts	Inclusive
Electrical data	10 A 230/400 V 4 kV 3
RoHS compliant	Yes

Available Downloads

Title	Format	
Data sheet	PDF	↓ download
CAD data 2D	DXF	↓ download
CAD data 3D	IGES	↓ download
CAD data 3D	STEP	↓ download

Inquiry

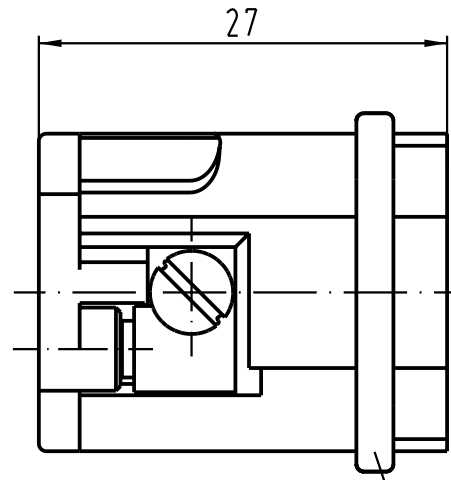
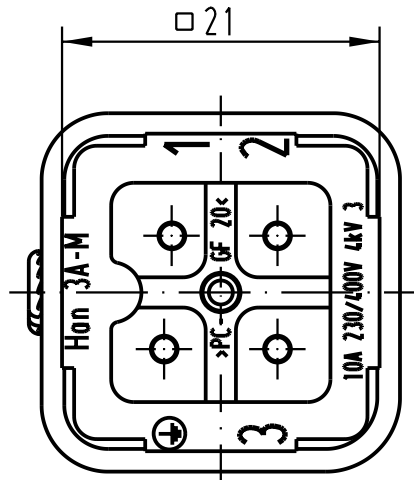
5

4

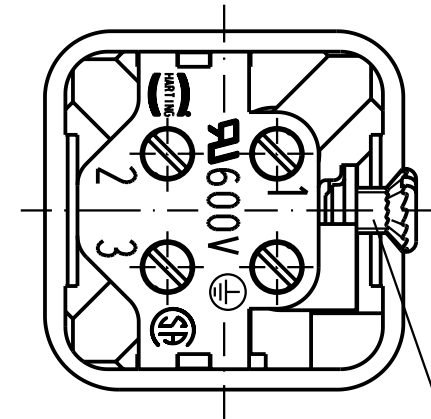
3

2

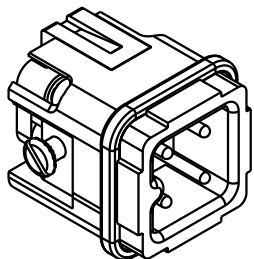
1





Dichtung/
sealing



Senkschraube M3x6-4.8
lose beigelegt
countersunk screw M3x6-4.8
seperated enclosed



 All Dimensions in mm Original Size DIN A 4			Techn. Character.			Nicht tolerierte Masse/ Free size tolerances	
				Dat.	Name	Massstab/Scale	
			Detail.	24.11.92	PENNER	2:1	
410629	28.11.03	ML	Insp.		HERB		
410228	18.10.02	Loe.	Stand.				
30487	30.01.02	Gö	HARTING Electric GmbH & Co. KG D-32339 Espelkamp			 TB 09 20 003 2611	
25852	16.04.99	PL					
Mod.	Dat.	Name				Sub. f. TB 09 20 003 2611 v. 26.10.70	

Blatt/ page

D

C

B

A